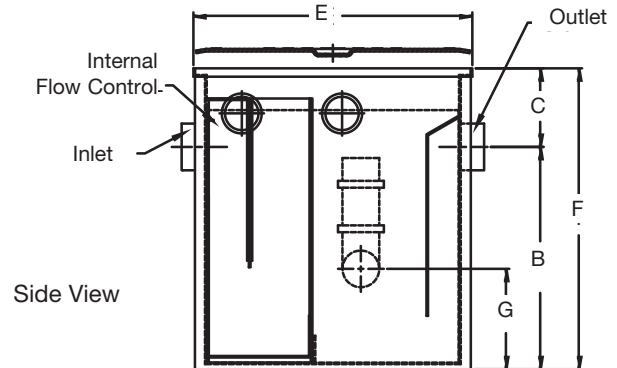
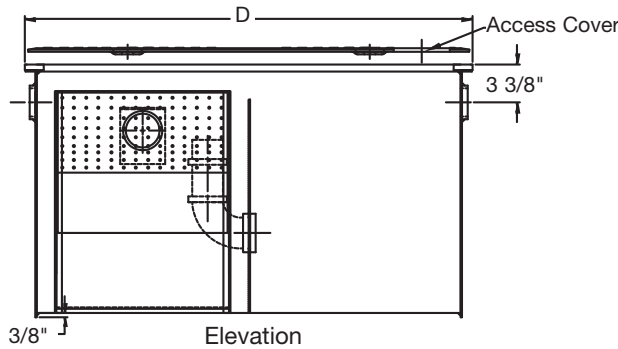
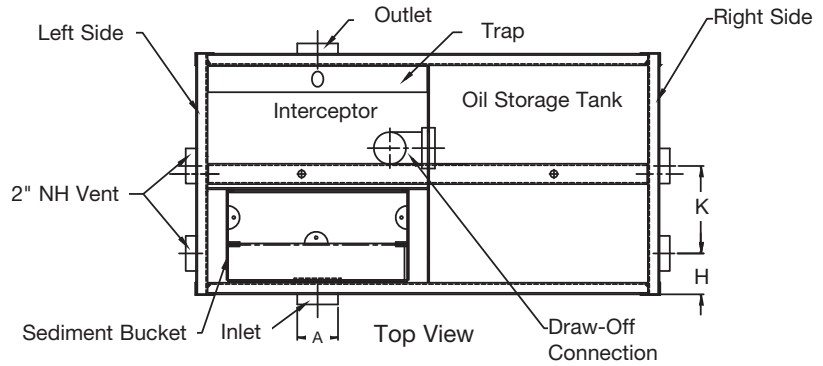
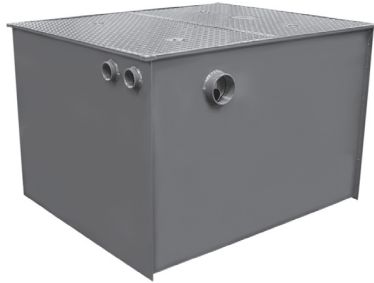


Oil Interceptors

OI-ST Series Oil Interceptor w/Integral Storage Tank



Inter-ceptor Model Number	List Price	-HD 10,000 Lbs. (Traffic Cover)* Add	Flow Rate GPM	Com-bined Vol-ume Gal.	A Inlet & Outlet	B Base To Center	C Top To Center	D Length	E Width	F Height	G	H	K	J
OI-10-ST	\$7,300.00	\$8,251.50	10	15	2"	8-1/2"	6"	24"	18"	14-1/2"	3"	4-1/2"	5-1/2"	6"
OI-15-ST	10,019.00	8,764.00	15	22	2"	12-1/2"	6"	33-3/4"	20-7/8"	18-1/2"	5	4-1/2"	7-1/2"	9"
OI-20-ST	12,111.00	9,282.00	20	32	3"	14-1/2"	6"	39-3/4"	20-7/8"	20-1/2"	6"	4-1/2"	7-1/2"	10-1/2"
OI-25-ST	13,151.00	9,318.00	25	35	3"	16-1/2"	6"	39-3/4"	20-7/8"	22-1/2"	7"	4-1/2"	7-1/2"	10-1/2"
OI-35-ST	15,979.00	10,311.50	35	65	4"	14-1/2"	6"	49-3/4"	32-7/8"	20-1/2"	6"	12"	6"	13"
OI-50-ST	16,218.50	10,838.50	50	78	4"	18-1/2"	6"	49-3/4"	32-7/8"	24-1/2"	8"	12"	6"	13"
OI-75-ST	37,265.00	11,395.00	75	214	4"	26-1/2"	6"	49-3/4"	40-7/8"	32-1/2"	16"	12"	12"	13"
OI-100-ST	40,425.00	15,708.00	100	303	4"	26-1/2"	9-1/2"	90"	58"	36"	20-1/2"	15"	20-1/2"	22-1/2"
OI-150-ST	50,026.00	20,164.50	150	358	4"	30"	14"	76"	66"	44"	24"	17"	24"	19"
OI-200-ST	70,665.50	23,001.00	200	453	4"	30-1/2"	17-1/2"	90"	73-1/4"	48"	24-1/2"	18"	25"	22-1/2"
OI-250-ST	81,862.00	31,719.00	250	590	6"	35-1/2"	15-1/2"	90"	73-1/4"	51"	29-1/2"	18"	25"	22-1/2"
OI-300-ST	92,753.50	40,742.00	300	816	6"	36-1/2"	15-1/2"	86"	94-7/8"	52"	29-1/2"	23-1/2"	33"	21-1/2"
OI-350-ST	108,688.00	46,939.50	350	1068	6"	43-1/2"	16-1/2"	94"	100-7/8"	60"	36-1/2"	24"	35"	23-1/2"
OI-400-ST	127,327.50	56,563.50	400	1111	6"	43"	17"	91"	107-7/8"	60"	36"	26"	38"	22-3/4"
OI-500-ST	137,122.00	67,337.00	500	1242	6"	46"	20"	83"	118-7/8"	66"	39"	30"	42"	20-3/4"

*-HD Option Requires Minimum 3" Extension

Options for OI-ST Series:

Suffix	Description	List Price	Suffix	Description	List Price
E	Extension Up to 12"	\$6,584.00	-O	Inlet & Outlet Other Than Standard Size	\$609.50
E	Extension over 12", add per inch	451.00	-SS	All Stainless Steel	P.O.A.
FC	Flange & Clamp Device	4,232.00	-THD	Threaded Connections	No Add